



CS 8000C



Powerful simplicity.
Surprisingly affordable.



The reliable solution for your panoramic and cephalometric needs

With the CS 8000C digital panoramic and cephalometric system, oral healthcare professionals can generate high-quality diagnostic images with each and every use. Relied on by approximately 15,000 practices worldwide, this unit is remarkably easy-to-operate, reliable and—what's more—affordable. Ideal for routine panoramic and cephalometric needs, the CS 8000C system features Carestream Dental's trademark one-shot cephalometric imaging and our convenient face-to-face design.

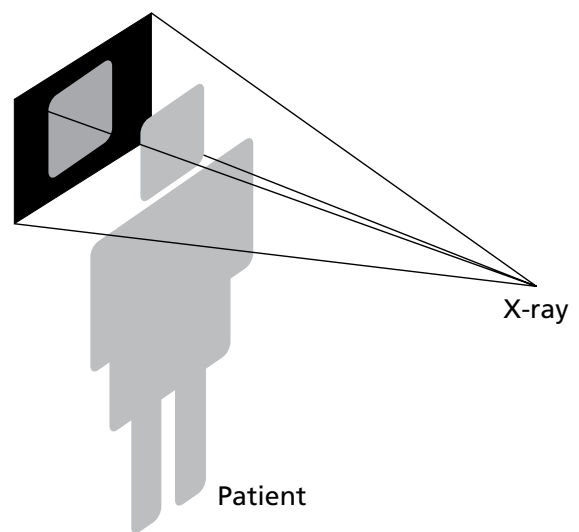
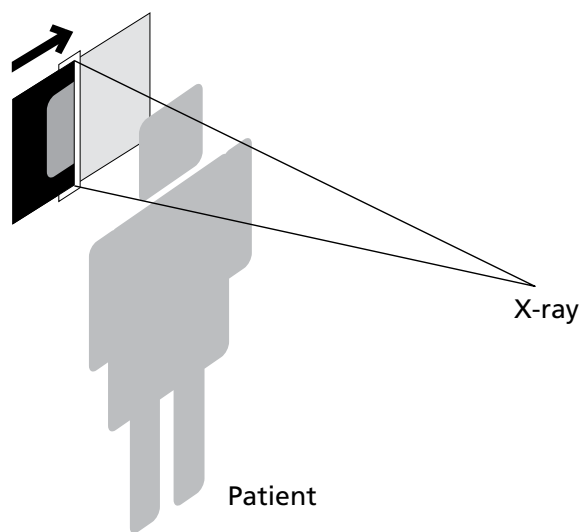
Advantages at a glance

- High-quality digital results at a competitive price
- Reliable solution for your daily needs
- Low dose, one-shot cephalometric imaging
- Proven technology used by more than 15,000 practices

Digital simplicity

Digital technology can be simple and reliable. The CS 8000C unit's streamlined user interface and computer-controlled system are designed for usability, while face-to-face positioning ensures easy patient

placement. Meanwhile, the system's cutting-edge technology quickly generates consistently clear images—safely and easily. It's an affordable way to take advantage of all the benefits of digital imaging.



Scanning systems: Acquisition time takes from 8 to 14 seconds, requiring patients to remain stationary during the exposure.

One-shot technology: Acquisition takes just over a second to reduce exposure time and prevent patient movement.

One-shot cephalometric imaging

As pioneers in the field of one-shot cephalometric technology, we have achieved a high-level of performance with the CS 8000C system. Capturing images in just over a second with a single shot, our

system reduces the risk of blurred images, limits patient movement and reduces the risk of retakes. Unlike other cephalometric imaging systems, the CS 8000C is designed to minimize distortion and deliver optimal image quality with each and every shot.

Simple as one, two, three

Speed up your entire workflow with the CS 8000C. With this system, users can capture a radiograph in three simple steps: select the program and patient size, position the patient and capture the image in real time.

Thanks to an intuitive computer interface, you can now perform all of your acquisition programming directly on your PC. Everything you need is right at your fingertips, allowing you to quickly prepare exams using pre-set programs and exposure settings to minimize set-up time and errors. With such user-friendly icons and menus, even new team members are sure to begin operating the unit with ease.



1. Simply select the program, enter the patient information, and if necessary, adjust the exposure settings.



2. Take advantage of face-to-face positioning and open design for improved patient placement.



3. Start the acquisition. The image appears in real-time on your computer.



Easier, accurate positioning

Patient positioning is everything when capturing panoramic images. While most of other units place the patient with his or her back to the operator, the CS 8000C system offers face-to-face positioning for easier placement and more comfortable exams. Meanwhile, the unit's open, compact footprint is easily accessible to wheelchairs—ensuring maximum comfort for each and every patient.

In addition, the CS 8000C's easy-to use head support was designed to deliver accurate patient positioning in all cephalometric projections, while one-shot technology reduces the risk of blurry images. And, since patients don't need to stay still for very long, examinations involving children or challenging projections (i.e. submento-vertex) are easier to perform.

Reliable image quality

The CS 8000C system's high-frequency generator ensures constant radiation throughout the exposure and delivers optimally contrasted digital images—all while using the same or less radiation than a traditional panoramic and cephalometric exam. A dedicated CCD sensor for each modality ensures sharp and detailed images, and, with just one click, you can even enhance image contrast and sharpness using our powerful imaging software.

Sharp panoramic images with no artifacts

Our powerful sharpness filter prevents the creation of dark halos that are often mistaken for caries, lesions or bone loss around radio opaque areas.



Orthodontic pre-set filters

Our simple and powerful software also features orthodontic pre-set filters that improve image clarity with one click and an automatic filter that outlines soft tissue, making tracing and landmark identification simpler, faster, and clearer.



Versatile imaging programs

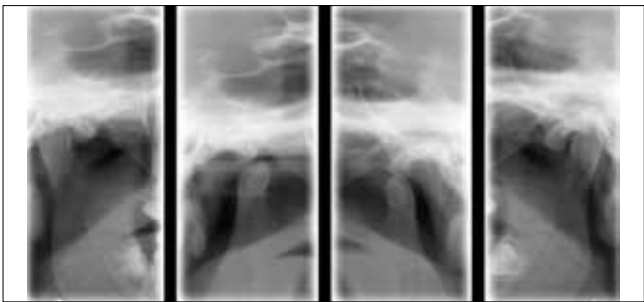
In addition to covering your routine panoramic and cephalometric exam needs, the CS 8000C offers a broad choice of additional programs including TMJ, and sinus projections.



Standard panoramic



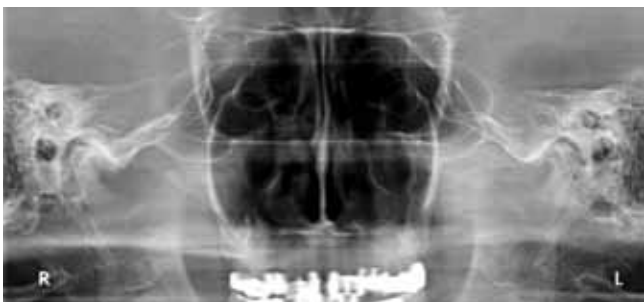
Pediatric panoramic



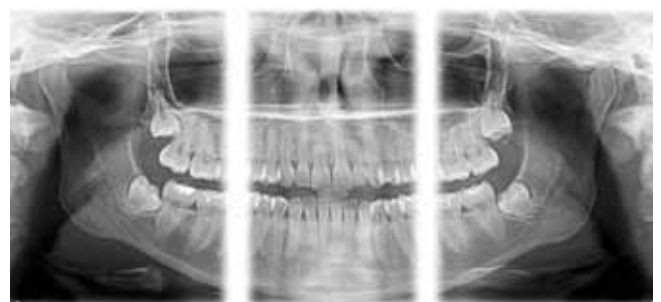
Lateral TMJ x4



Lateral TMJ x2



Maxillary sinus



Segmented panoramic



Cephalometric lateral view



Cephalometric frontal PA/
AP views



Submento-vertex view

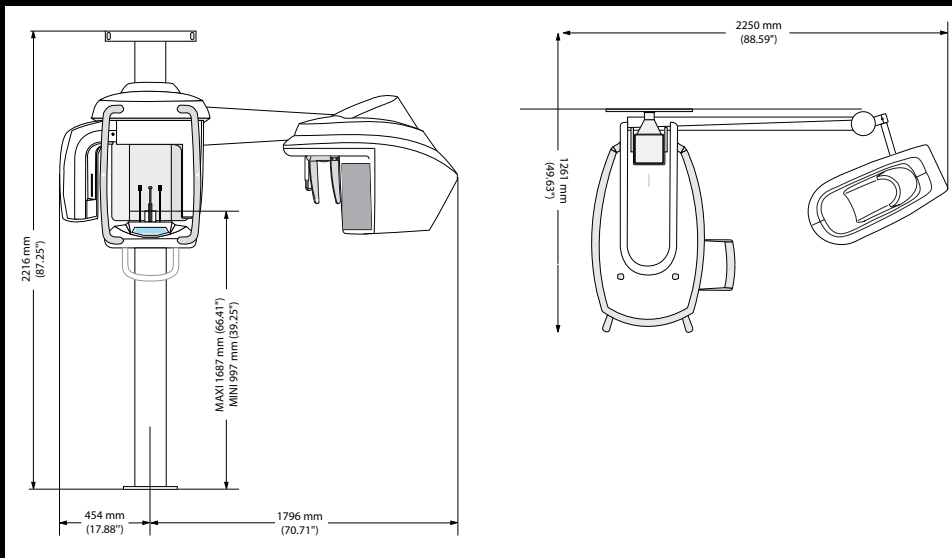


Carpus

Technical specifications

Tube voltage	60 - 90 kV
Tube current	2 - 15 mA (max)
Frequency	140 kHz (max)
Tube focal spot	0.5 mm (IEC 60336)
Total filtration	> 2.5 mm eq. Al
Sensor technology	CCD and optical fiber
Sensor matrix	Pan: 64 x 1348 pixels Ceph: 1360 x 1840 pixels
Image field	Pan: 6.1 x 129.4 mm Ceph: 195 x 263 mm
Gray scale	16384 - 14 bits
Magnification	Pan: 1.27 (± 10%) Ceph: 1.14

Radiological exam options	Pan: Full panoramic, segmented panoramic, maxillary sinus, LA TMJ x 2, LA TMJ x 4 Ceph: Lateral, frontal AP or PA, oblique, submento-vertex, carpus
Exposure mode	2 patient types (adult and child) 3 patients sizes (small, medium, large)
Exposure time	Pan: 4 to 14 seconds Ceph: 0.1 to 3.2 seconds
Input voltage (AC)	230 - 240 V - 50/60 Hz 100/110/130 V - 50/60 Hz
Unit dimensions	2250 (L) x 1261 (D) x 2315 (H) mm / 88.6 (L) x 49.6 (D) x 91.1 (H) in
Minimum required space	2350 (L) x 1950 (D) x 2400 (H) mm / 92.5 (L) x 76.8 (D) x 94.5 (H) in



Would you like to know more?

Visit www.carestreamdental.com or contact your local authorised dealer.